

E-Crane[®] Capacity Charts

700 Series

Model 4248

Model 4264

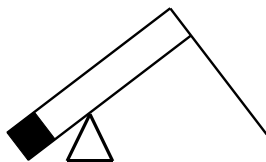
Model 4290

Model 6290

Model 4317

Model 6317





E-Crane[®] Capacity Charts
700 Series
Model 4290

CONTENTS

DUTY CYCLE OPERATION 3
 Load Chart (USton/ft) 3
 Load Chart (Mton/m) 5
LIFT CRANE OPERATION 7
 Load Chart (USton/ft) 7
 Load Chart (Mton/m) 9
SPECIFICATIONS 11

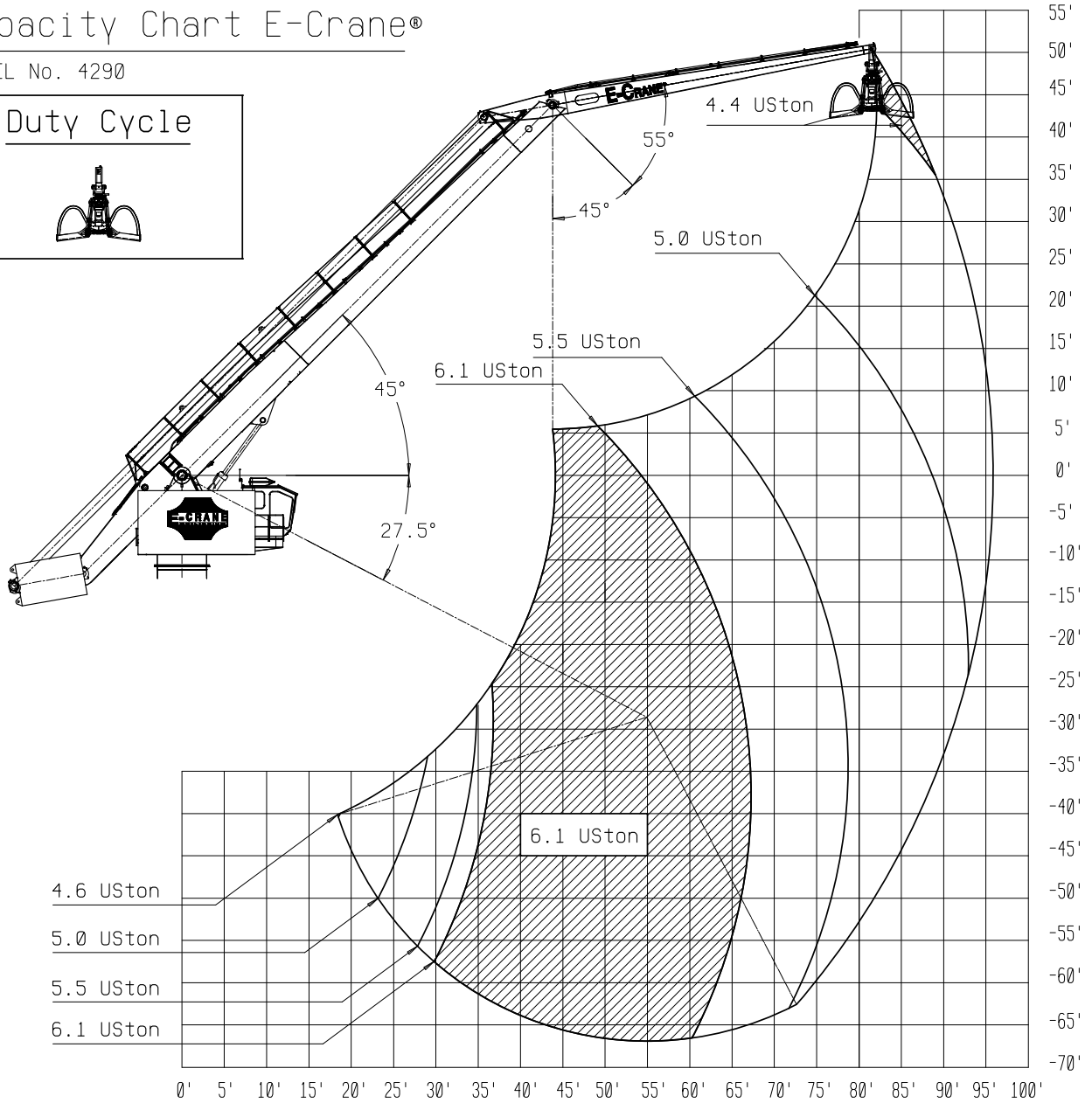
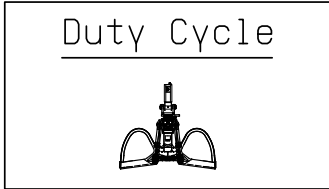


DUTY CYCLE OPERATION

Load Chart (USton/ft)

Capacity Chart E-Crane®

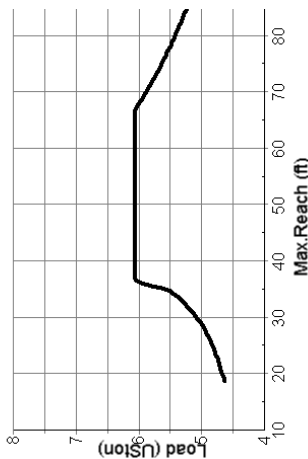
MODEL No. 4290



Dwg.: ALI2012-005

HEIGHT Relative to BOOM- PIN (ft)		CAPACITY CHART (USton) / Duty Cycle Operation E-Crane 4290																										
		REACH (ft)																										
		21	24	27	30	33	36	39	42	45	48	51	54	57	60	63	66	69	72	75	78	81	84	87	90	93		
42																												
39																												
36																												
33																												
30																												
27																												
24																												
21																												
18																												
15																												
12																												
9																												
6																												
3																												
0																												
-3																												
-6																												
-9																												
-12																												
-15																												
-18																												
-21																												
-24																												
-27																												
-30																												
-33																												
-36																												
-39																												
-42																												
-45																												
-48																												
-51																												
-54																												
-57																												
-60																												
-63																												
-66																												

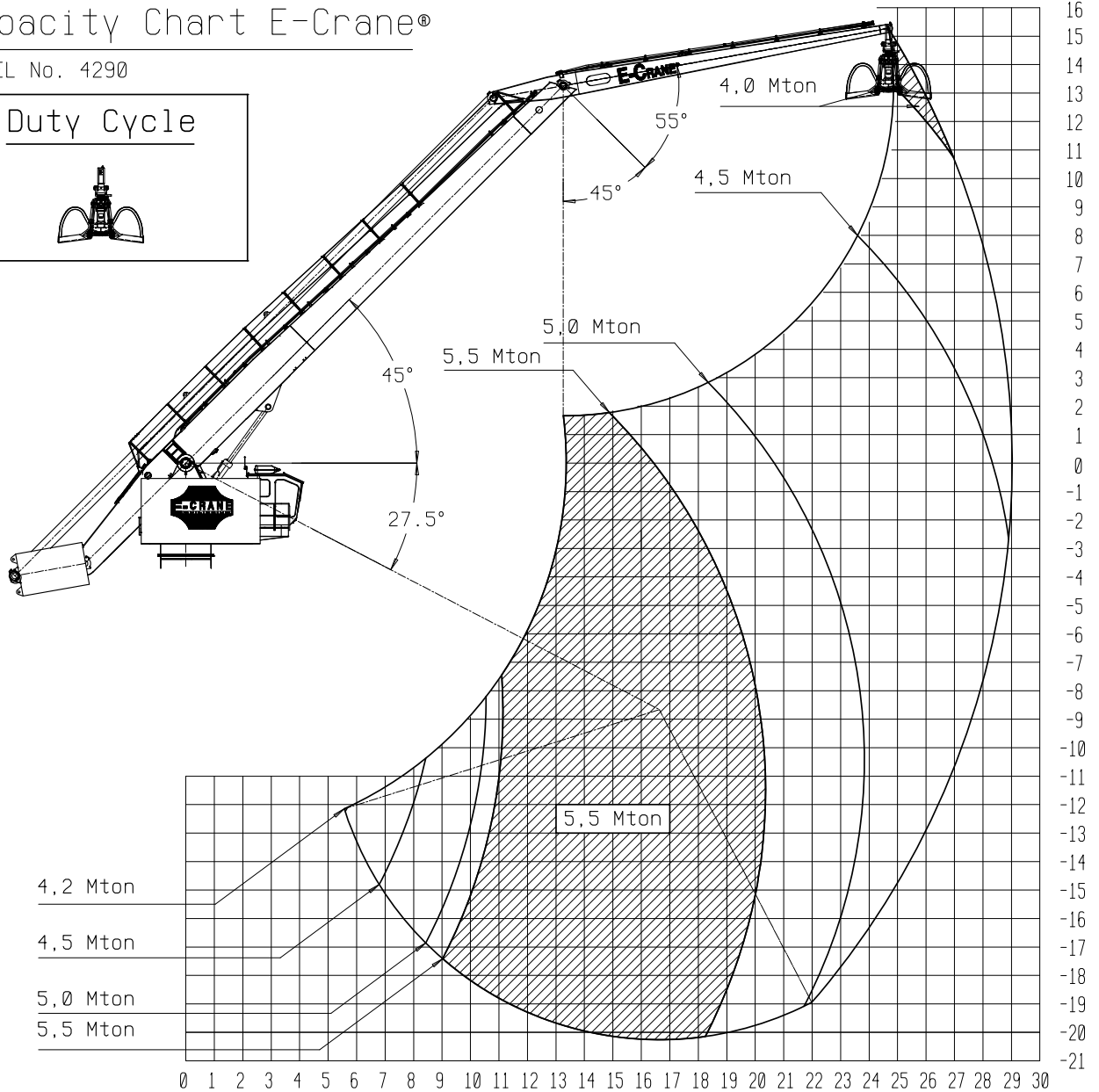
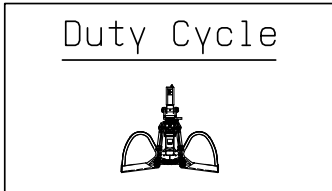
E-Crane 4290



Load Chart (Mton/m)

Capacity Chart E-Crane®

MODEL No. 4290



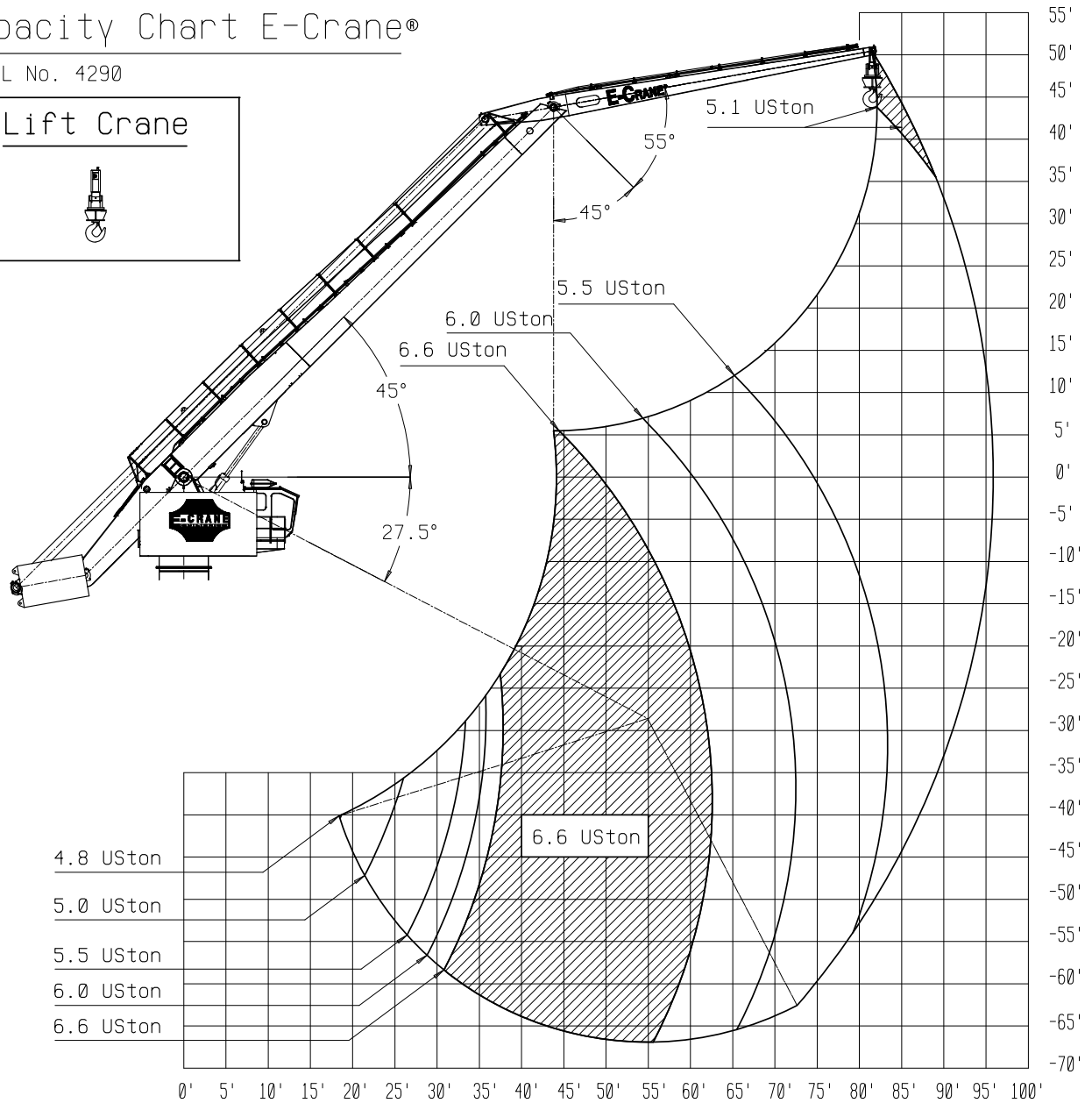
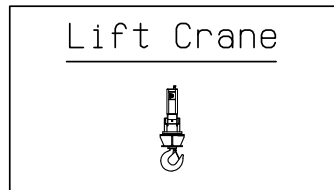
Dwg.: ALI2012-006

LIFT CRANE OPERATION

Load Chart (USton/ft)

Capacity Chart E-Crane®

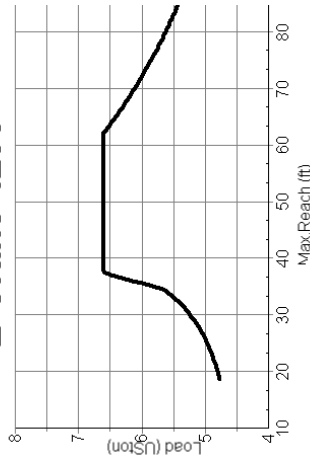
MODEL No. 4290



Dwg.: ALI2012-008

HEIGHT Relative to BOOM- PIN (ft)		CAPACITY CHART (USton) / Lift Crane Operation E-Crane 4290																										
		REACH (ft)																										
		21	24	27	30	33	36	39	42	45	48	51	54	57	60	63	66	69	72	75	78	81	84	87	90	93		
42																												
39																												
36																												
33																												
30																												
27																												
24																												
21																												
18																												
15																												
12																												
9																												
6																												
3																												
0																												
-3																												
-6																												
-9																												
-12																												
-15																												
-18																												
-21																												
-24																												
-27																												
-30																												
-33																												
-36																												
-39																												
-42																												
-45																												
-48																												
-51																												
-54																												
-57																												
-60																												
-63																												
-66																												

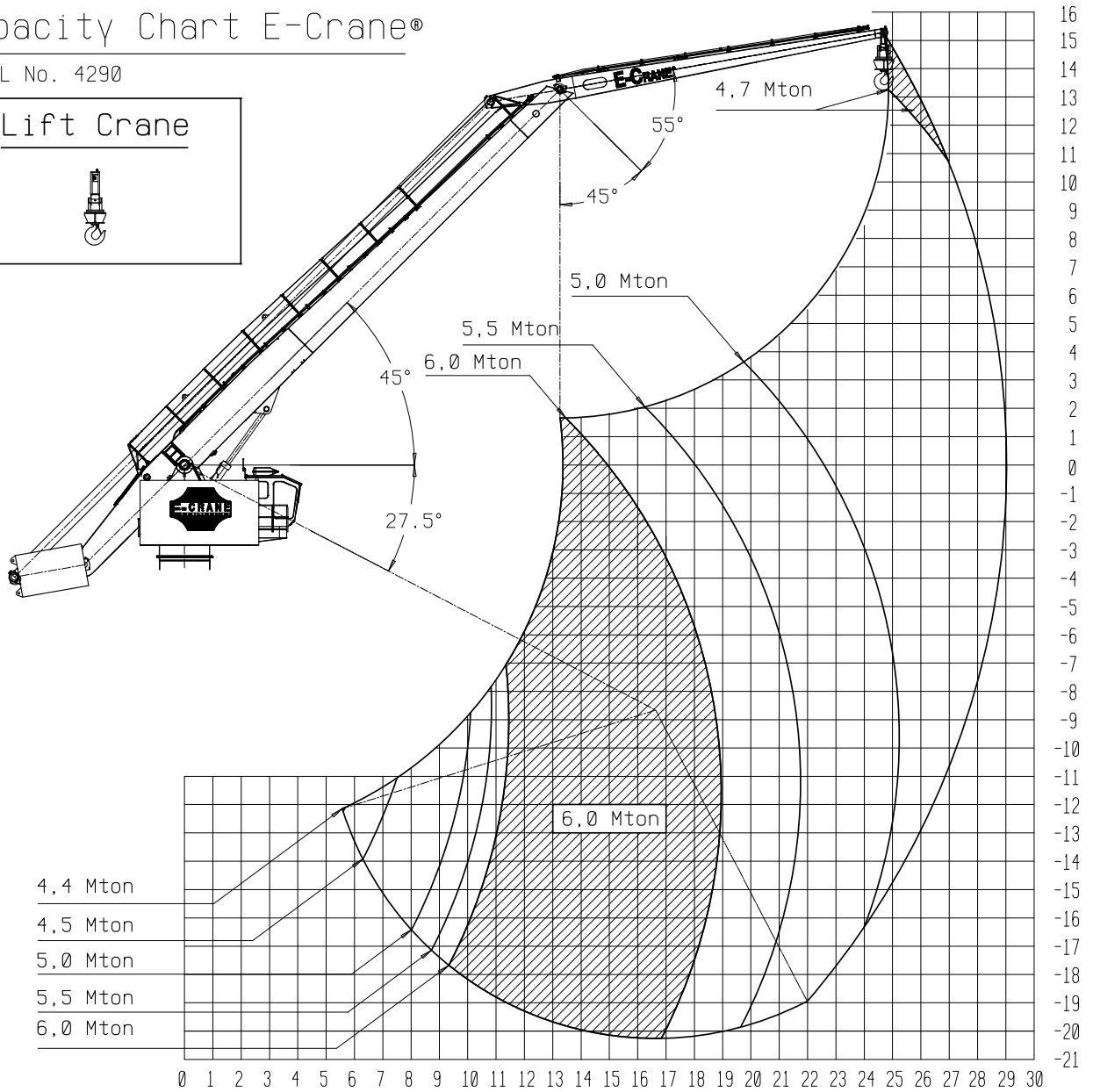
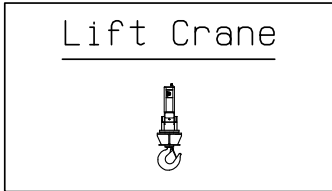
E-Crane 4290



Load Chart (Mton/m)

Capacity Chart E-Crane[®]

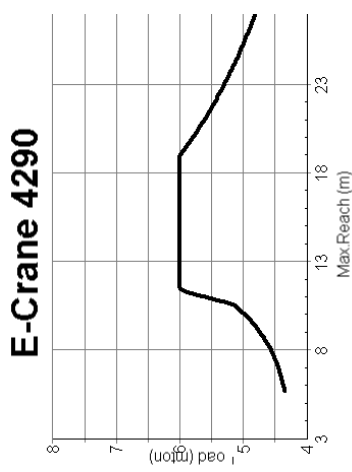
MODEL No. 4290



Dwg.: ALI2012-007

CAPACITY CHART (Mton) / Lift Crane Operation
E-Crane 4290

HEIGHT relative to BOOM-PIN (m)	REACH (m)																								
	6	7	8	9	10	11	12	13	14	15	16	17	18	19	20	21	22	23	24	25	26	27	28	29	
14																				4,67					
13																				4,67					
12																				4,66	4,67				
11																				4,66	4,66				
10																				4,66	4,66	4,66			
9																				4,66	4,66	4,66			
8																				4,67	4,67	4,66			
7																				4,68	4,67	4,66			
6																				4,70	4,68	4,68			
5																				4,75	4,70	4,68			
4																				4,79	4,73	4,69			
3																				4,90	4,83	4,77			
2																				4,95	4,88	4,82			
1																				4,93	4,85	4,79			
0																				4,93	4,85	4,79			
-1																				4,97	4,90	4,82			
-2																				5,03	4,93	4,85			
-3																				5,07	4,97	4,88			
-4																				5,11	5,01	4,91			
-5																				5,16	5,05	4,95			
-6																				5,26	5,16	5,05			
-7																				5,31	5,18	5,07			
-8																				5,34	5,21	5,11			
-9																				5,37	5,26	5,14			
-10																				5,40	5,26	5,14			
-11																				5,43	5,29	5,16			
-12																				5,46	5,31	5,16			
-13																				5,46	5,29	5,16			
-14																				5,43	5,29	5,14			
-15																				5,43	5,26	5,11			
-16																				5,37	5,23	5,07			
-17																				5,34	5,18	5,03			
-18																				5,29	5,14	5,03			
-19																				5,49	5,31	5,14			
-20																				5,49	5,31	5,14			



SPECIFICATIONS

	Specifications Imperial (**)	Specifications Metric (**)
Operating Range:		
Minimum Outreach Range (from centerline of rotation)	18'-3.3/16"	5,568 m
Maximum Outreach (from centerline of rotation)	95'-2.3/4"	29,025 m
Downreach Range (below main boom pivot point)	66'-5.9/16"	20,258 m
Lifting Range (vertical lift)	116'-6.7/8"	35,531 m
Boom Operating Angles (above and below horizontal)	+45°/-27.5°	+45°/-27.5°
Stick Operating Angles (before and after vertical)	+55°/-45°	+55°/-45°
Degrees of Rotation	360° continuous	360° continuous
Power:		
Power Supply	3-Phase 480 Volts AC, 60 Hz	3-Phase 380 Volts AC, 50 Hz
Electrical Motor	150 hp	110 kW
Hydraulic Pump Output		
Implement	101.7 gpm	385 L/min
Swing	29.4 gpm	112 L/min
Hydraulic System Relief Setting	3,625 psi	25.000 kPa
Hydraulic Tank Refill Capacity	300 USgal	1.135 L
Dimensions:		
Boom Length	61'-6.3/16"	18,75 m
Stick Length	38'-11/16"	11,6 m
Total Weight Superstructure*	170,170 lbs	77.350 kg

(*) Operating weight does not include lubricants, hydraulic oil, bucket and operator

(**) Materials and specifications are subject to change without notice.

See your E-Crane[™] dealer for available options.

Alle rechten voorbehouden. Niets uit deze uitgave mag worden vervoelvoudigd, opgeslagen in een geautomatiseerd gegevensbestand, of openbaar gemaakt, in enige vorm of op enige wijze, hetzij elektronisch, mechanisch, door fotocopiëren, opnamen of enige andere manier, zonder voorafgaande schriftelijke toestemming van nv Indusign (België).

All rights reserved. No part of this publication may be reproduced, stored in a retrieval system, or transmitted, in any form or by any means, electronic, mechanical, photocopying, recording or otherwise without the written permission of nv Indusign (Belgium).

Alle Rechte vorbehalten. Nachdruck, Aufnahme in ein Retrieval-System, jedwede elektronische, mechanische, fotokopierte, oder andere Übertragung, auch auszugsweise, ist ohne ausdrücklicher, schriftlicher Genehmigung von nv Indusign (Belgien) verboten.

Ce manuel ne peut en aucune façon être copié, sans autorisation écrite du firme nv Indusign (Belgique).