

E-CRANETM

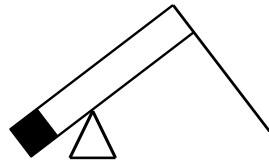
Q U I L I B R I U M

2000 SERIES



SUBJECT TO CHANGE

VERSION : 1.00
DATE : 29-11-2005



E-Crane[®] Capacity Charts

2000 Series

Model 18264

Model 16290

Model 15317

Model 14359

Model 17359

Model 13382

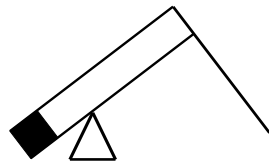
Model 16382

Model 21382

Model 19421

Model 18450





E-Crane[®] Capacity Charts
2000 Series
Model 16290

CONTENTS

DUTY CYCLE OPERATION 3
 Load Chart (USton/ft) 3
 Load Chart (Mton/m) 5
LIFT CRANE OPERATION 7
 Load Chart (USton/ft) 7
 Load Chart (Mton/m) 9
SPECIFICATIONS 11

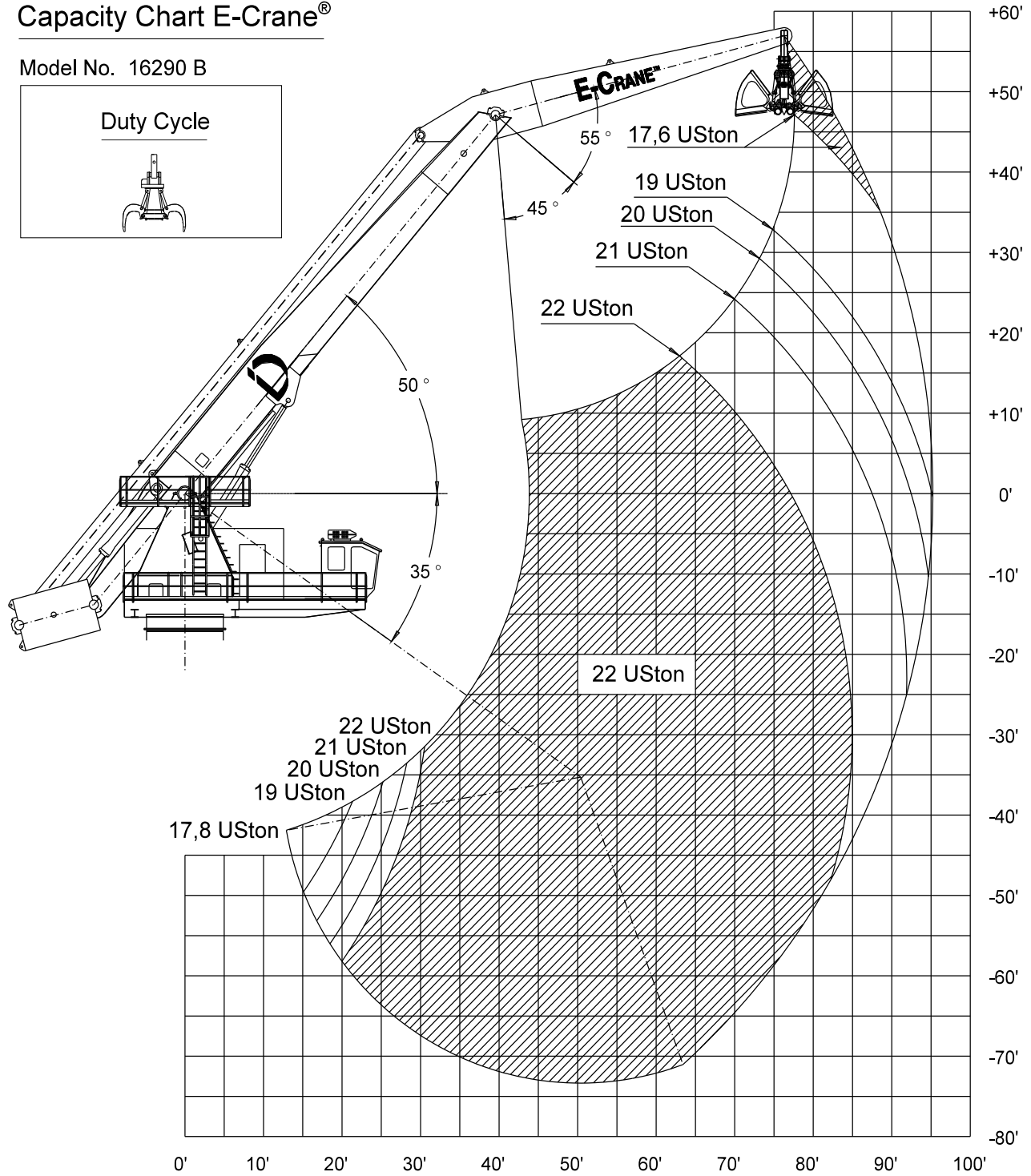
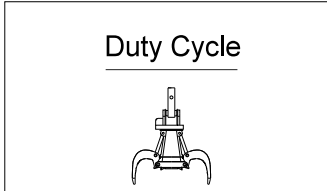


DUTY CYCLE OPERATION

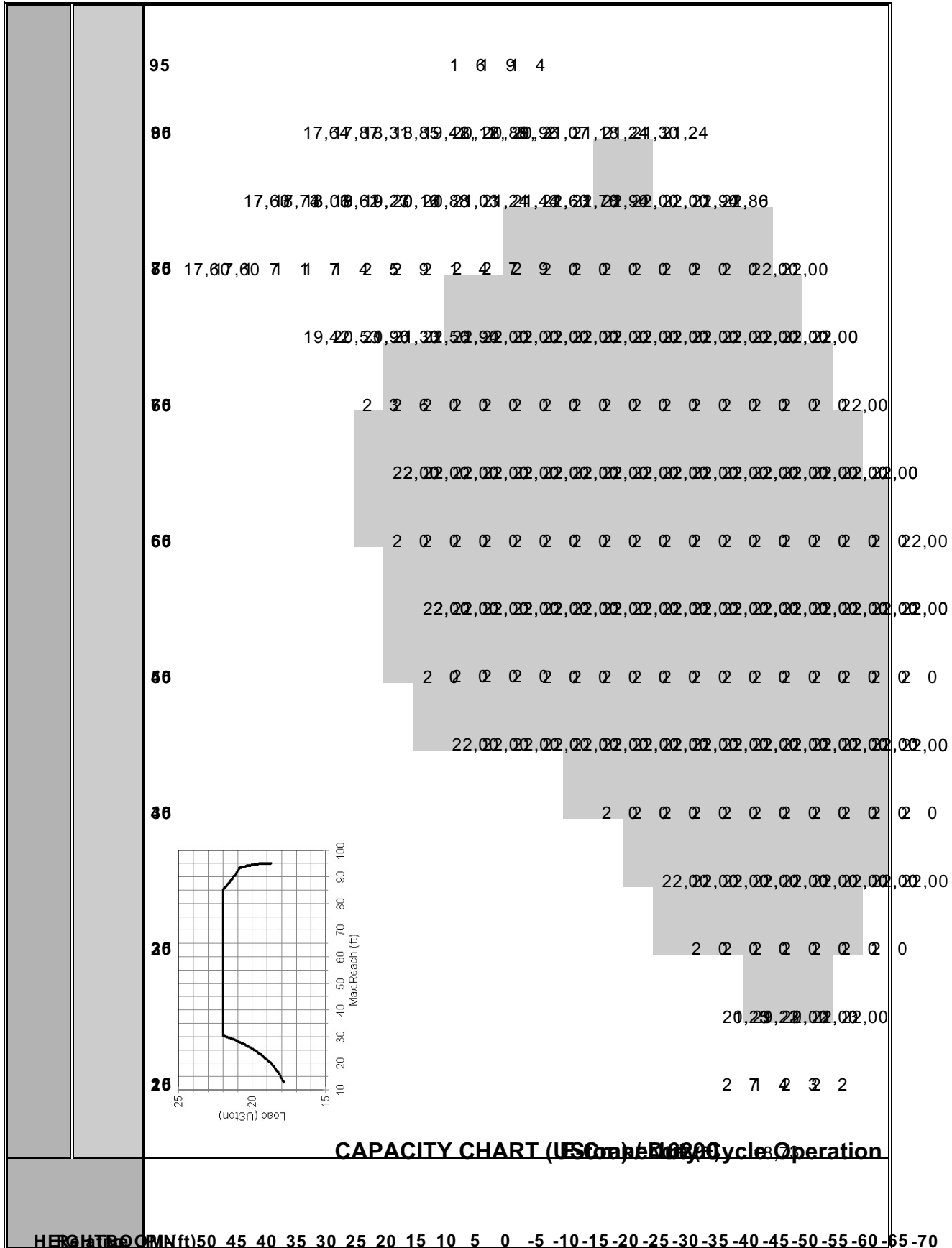
Load Chart (USton/ft)

Capacity Chart E-Crane®

Model No. 16290 B



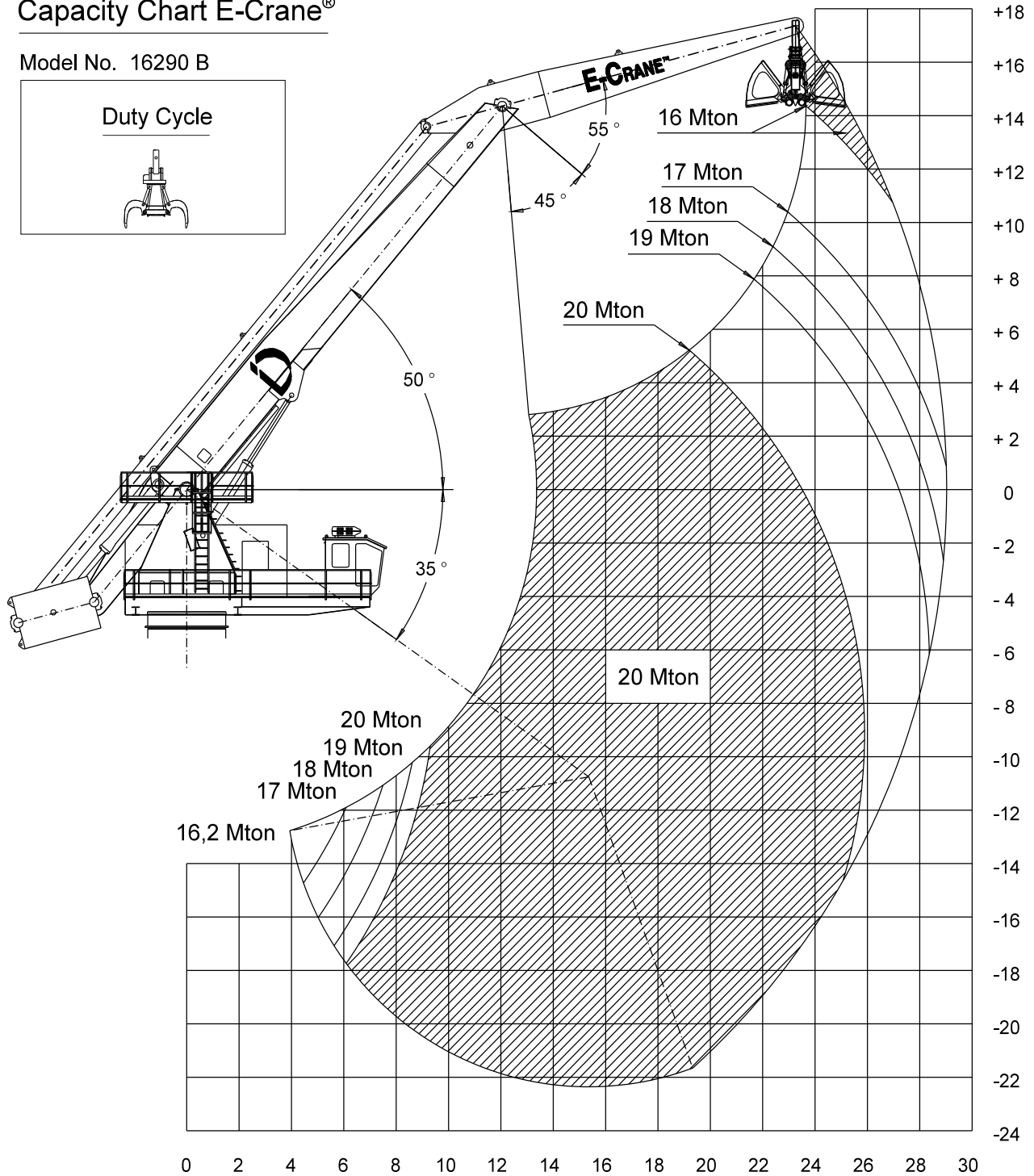
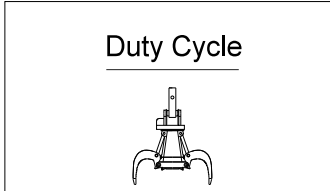
Docnr.: ALI2005-016



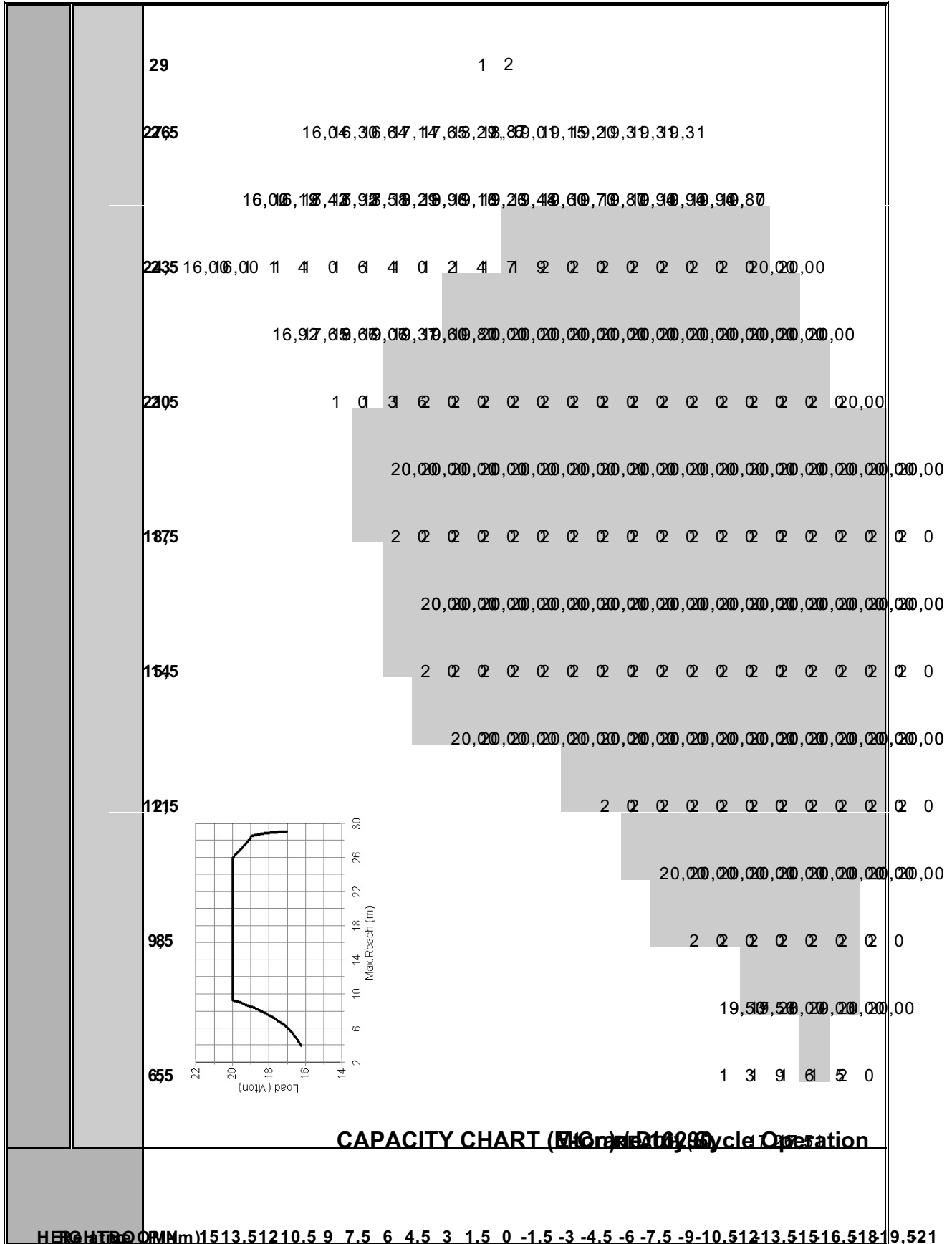
Load Chart (Mton/m)

Capacity Chart E-Crane®

Model No. 16290 B



Docnr.: ALI2005-017

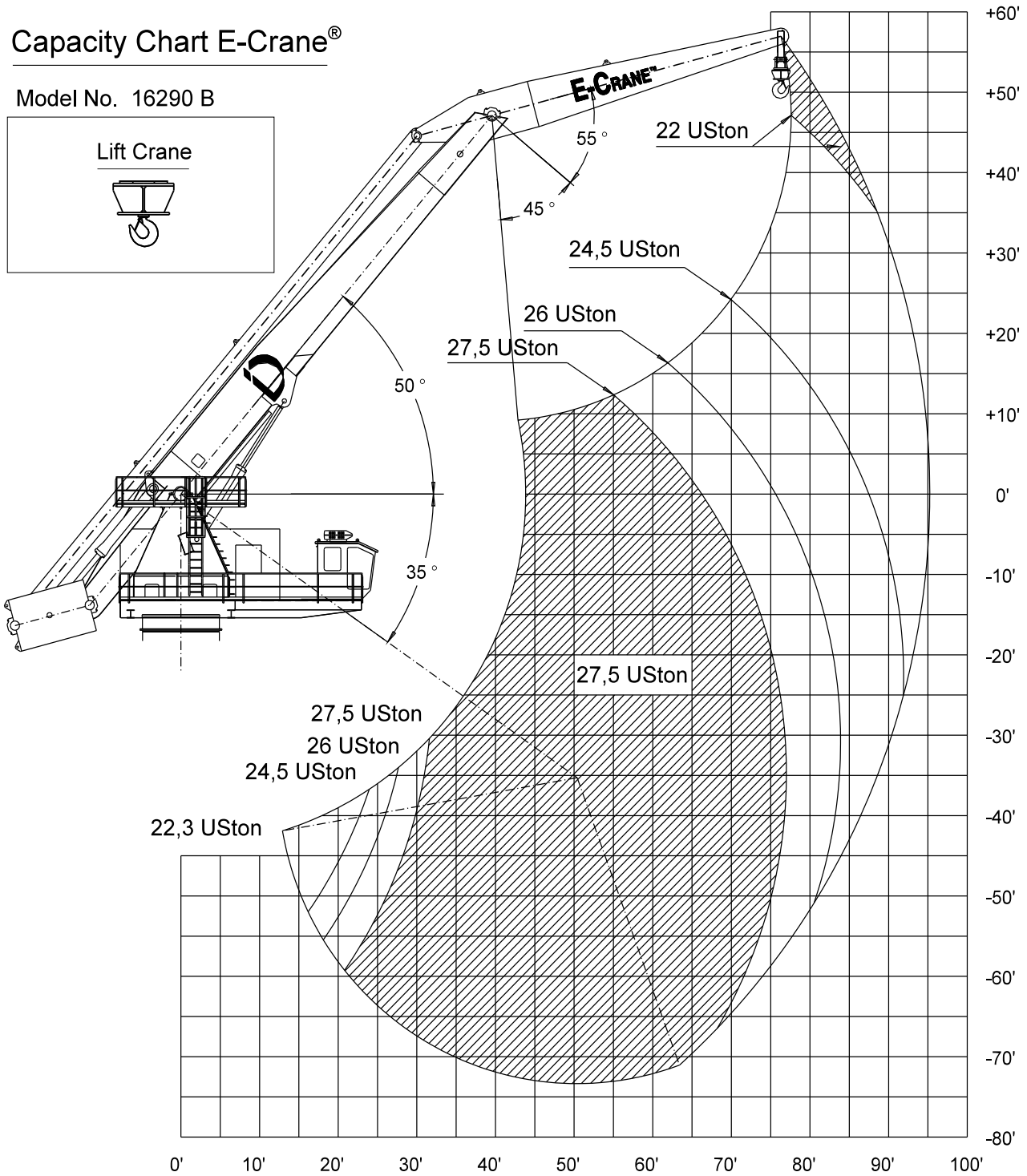
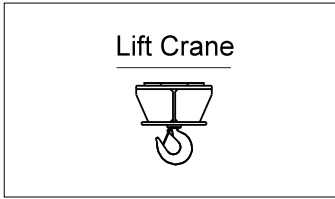


LIFT CRANE OPERATION

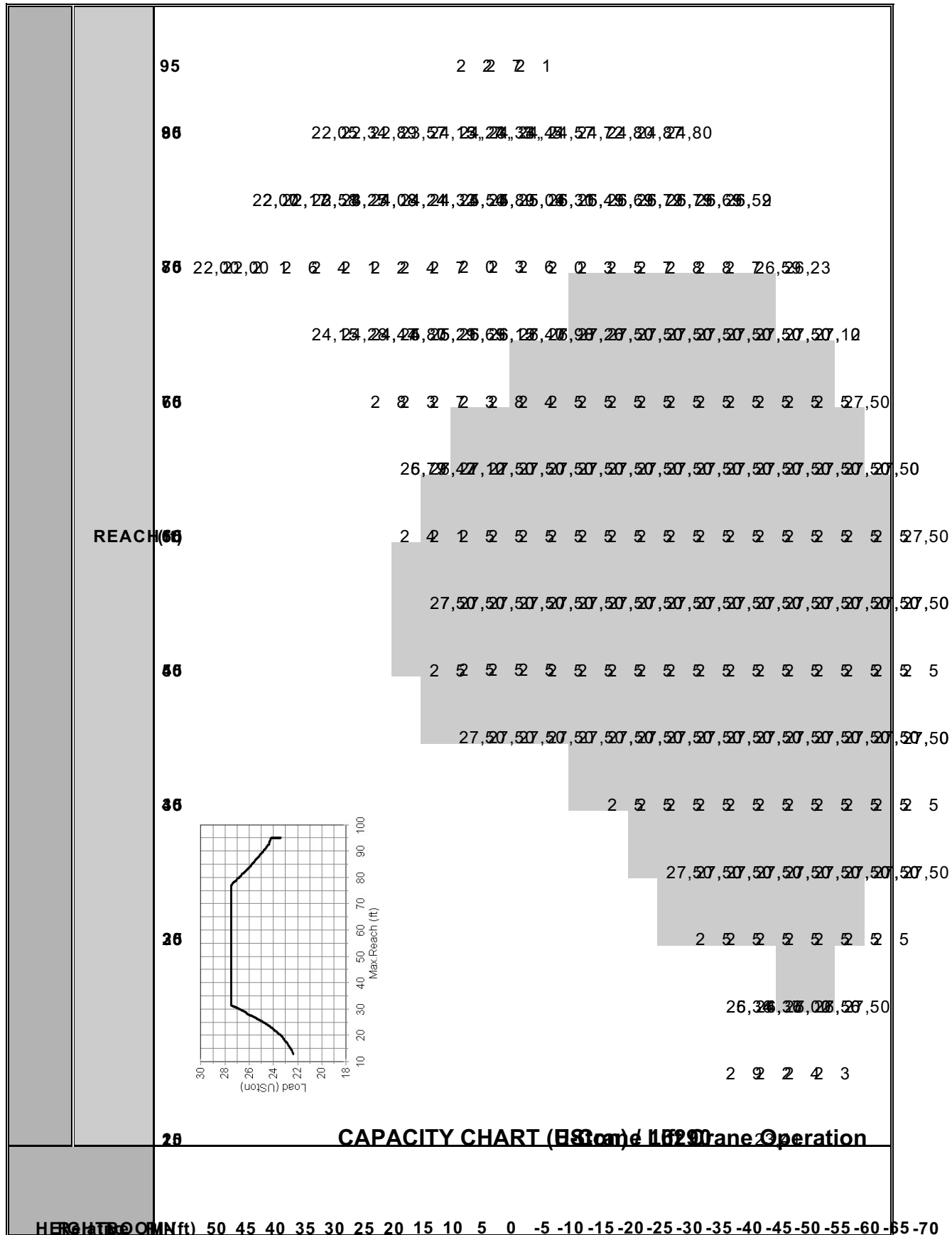
Load Chart (USton/ft)

Capacity Chart E-Crane®

Model No. 16290 B



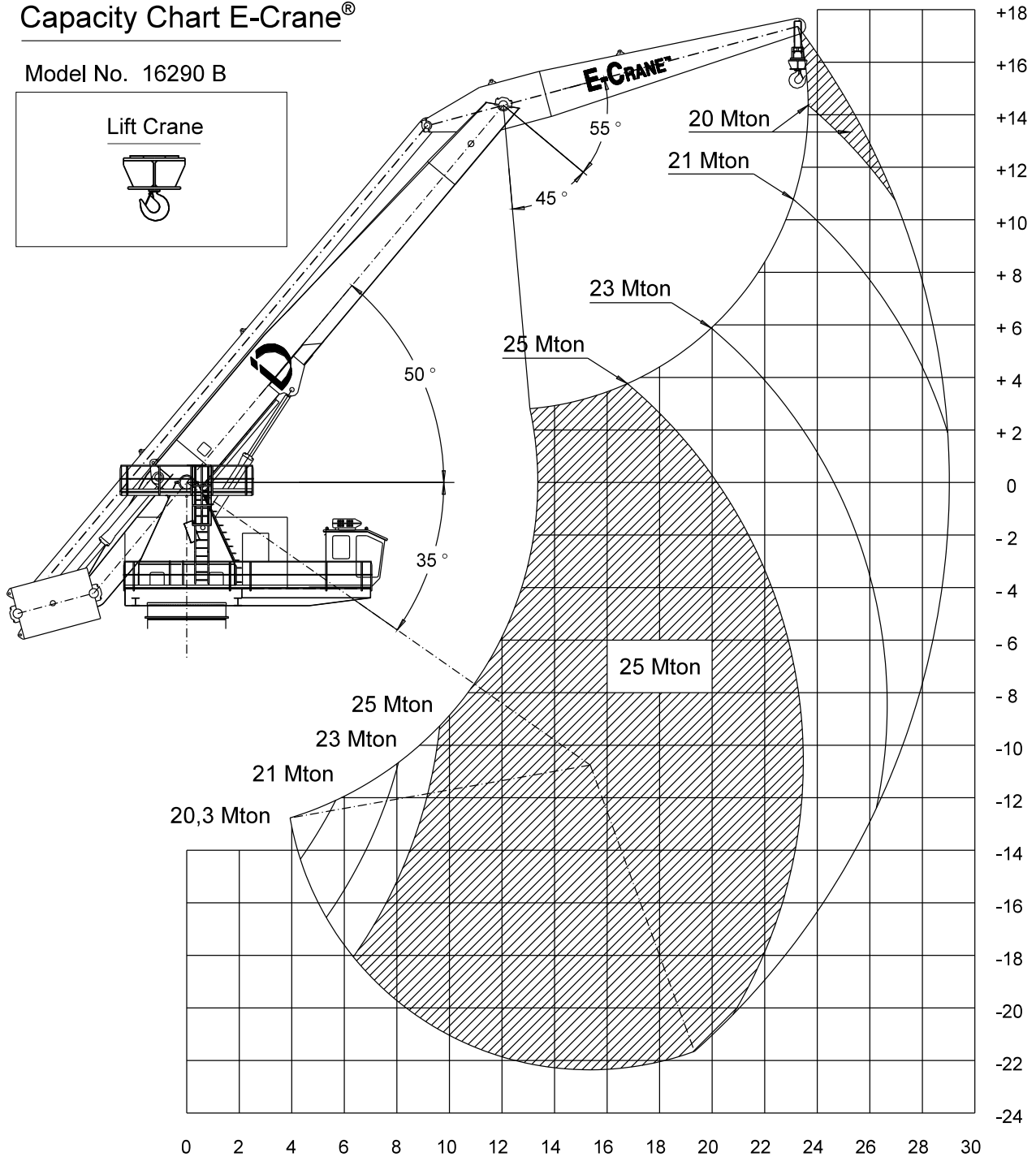
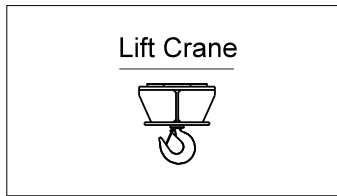
Docnr.: ALI2005-018



Load Chart (Mton/m)

Capacity Chart E-Crane®

Model No. 16290 B



Docnr.: ALI2005-019

SPECIFICATIONS

	Specifications English (**)	Specifications Metric (**)
Operating Range:		
Minimum Outreach Range (from centerline of rotation)	12'-10.15/16"	3,935 m
Maximum Outreach (from centerline of rotation)	95'-3"	29,032 m
Downreach Range (below main boom pivot point)	73'-4.1/8"	22,355 m
Lifting Range (vertical lift)	130'-3.13/16"	39,720 m
Boom Operating Angles (above and below horizontal)	+50°/-35°	+50°/-35°
Stick Operating Angles (before and after vertical)	+55°/-45°	+55°/-45°
Degrees of Rotation	360° continuous	360° continuous
Power:		
Power Supply	3-Phase 480 Volts AC, 60 Hz	3-Phase, 380 Volts AC, 50 Hz
Electrical Motor	600 hp	450 kW
Hydraulic Pump Output		
Implement	380 gpm	1.440 L/min
Swing	121 gpm	458 L/min
Hydraulic System Relief Setting	3,990 psi	27.500 kPa
Hydraulic Tank Refill Capacity	1056 USgal	4.000 L
Dimensions:		
Boom Length	61'-6.3/16"	18,75 m
Stick Length	38'-11/16"	11,6 m
Total Weight Superstructure^(*)	425,700 lbs	193.500 kg

(*) Operating weight does not include lubricants, hydraulic oil, bucket and operator

(**) Materials and specifications are subject to change without notice.

See your E-Crane™ dealer for available options.

Alle rechten voorbehouden. Niets uit deze uitgave mag worden vervoelvoudigd, opgeslagen in een geautomatiseerd gegevensbestand, of openbaar gemaakt, in enige vorm of op enige wijze, hetzij elektronisch, mechanisch, door fotocopieën, opnamen of enige andere manier, zonder voorafgaande schriftelijke toestemming van nv Indusign (België).

All rights reserved. No part of this publication may be reproduced, stored in a retrieval system, or transmitted, in any form or by any means, electronic, mechanical, photocopying, recording or otherwise without the written permission of nv Indusign (Belgium).

Alle Rechte vorbehalten. Nachdruck, Aufnahme in ein Retrieval-System, jedwede elektronische, mechanische, fotokopierte, oder andere Übertragung, auch auszugsweise, ist ohne ausdrücklicher, schriftlicher Genehmigung von nv Indusign (Belgien) verboten.

Ce manuel ne peut en aucune façon être copié, sans autorisation écrite du firme nv Indusign (Belgique).